

Omni-ID® Pipe Tag

The Omni-ID Pipe tag is a high impact, limited life RFID tag designed specifically to address the rigors of pipe and cylinder storage and transport. The Pipe tag is ideally suited for track and trace of difficult-to-tag cylindrical assets that are subject to significant impact. The Pipe tag is a long-range, regionally-tuned tag with a removable strap attachment mechanism that minimizes the complexity of tagging pipes.



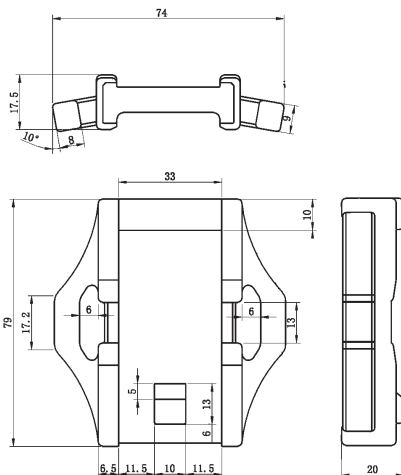
Applications

The Omni-ID Pipe was specifically designed for pipe and cylinder storage and management. Pipe tags are ideal for:

- ▶ Drill Pipe.
- ▶ Bolsters.
- ▶ Large cylindrical assets.

Physical Specifications

Encasement	Polypropylene structure and synthetic label
Size (mm) (tolerance)	79 x 74 x 20.0 (+/- 1.0)
Size (in) (tolerance)	3.1 x 2.9 x .79 (+/-0.04)
Weight (g)	44.0



Dimensions stated in mm

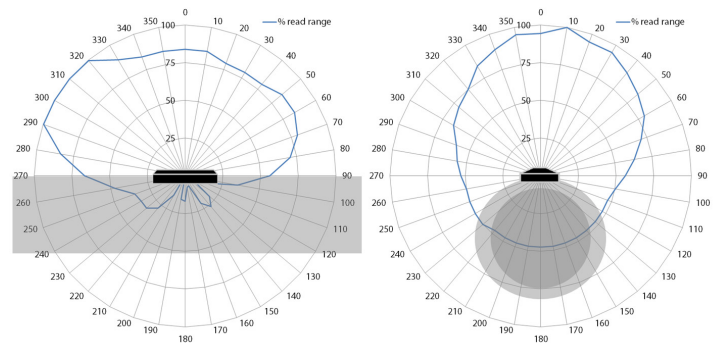
RF Specifications

Protocol	EPC Class 1 Gen2
Frequency Range (MHz)	866-868 (EU) 902-928 (US)
Read Range (Fixed reader) ¹	Up to 15.0m (49.2ft)
Read Range (Handheld reader) ¹	Up to 7.5m (24.7ft)
Material Compatibility	Optimized for Metal
IC Type (chip)	Alien H3
Memory ²	EPC - 96bits User - 512bits TID - 64bits

1. Quoted performance achieved using standard testing methodology. Read range will vary with reader hardware and output power.
2. EPC and User memory are reprogrammable, TID is locked at point of manufacture.

Radiation Patterns

On Pipe



Related Products and Services

- ▶ **Omni-ID Curv** - Small form factor, high impact, on-metal RFID tag for adhesive attachment to industrial assets.
- ▶ **Omni-ID Max HD**- Long range, high durability RFID tag product for heavy industry applications involving metal.
- ▶ **Omni-ID 360** - Extremely durable, high performance tether tag with 360° read angle for heavy industry applications.
- ▶ **Service Bureau** - Omni-ID offers a full service bureau for printing and pre-encoding Omni-ID tags at point of manufacture.



Environmental Specification

Operating Temperature	-40 to +65 °C
Long term Max Temperature ¹ exposure - (days,weeks,years)	+65 °C
Short term Max Temperature ¹ exposure - (minutes,hours)	+85 °C
IP Rating	IP65
Shock and Vibration	MIL STD 810-F
Impact	>25kg from 1m
Attachment	Strap (not supplied with product)
Certifications	RoHS approved CE approved ATEX/IECEX certified (option) US&Canada (C1D1/D2) certified (option)
Warranty	6 months

1. Excludes adhesive options, consult adhesive data sheets for recommended temperature ratings.

Ordering Information

Order Numbers	030- US, EU :304 (ATEX/IECEX certified) :307 (US&Canada (C1D1/D2) certified) :701 (Standard Service Bureau) :702 (Custom Service Bureau)
---------------	--

For more information, contact:

Omni-ID Corporate Headquarters:

1200 Ridgeway Ave
Rochester, NY 14615 USA

European Office:

The Enterprise Centre
Coxbridge Business Park
Alton Road, Farnham, Surrey
GU10 5EH, United Kingdom

Asia Office:

Process Export zone
East of Road No.4 and South of Road No.2
Chengyang District
Qingdao
266113, P.R. China

For product or technology inquiries:
Email customer.services@omni-id.com

052012

