



## Omni-ID Max® Rigid

Omni-ID Max Rigid is a long range passive UHF RFID tag capable of reading on, off, and near metal surfaces. Designed in a surprisingly small form factor, Omni-ID Max Rigid features a durable water tight encapsulation for long term use in outdoor and industrial environments.

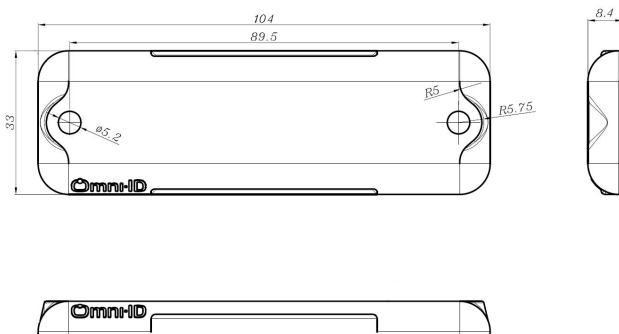
## Applications

With its high performance and high durability encapsulation, Omni-ID Max Rigid is ideally suited to manufacturing and logistics applications including tracking:

- ▶ Returnable transit items (within region).
- ▶ Warehouse storage locations.
- ▶ Rail carriages.

## Physical Specifications

|                          |                               |
|--------------------------|-------------------------------|
| Encasement               | ABS or Polycarbonate          |
| Size (mm)<br>(tolerance) | 104 x 33 x 8.4<br>(+/-1.0 )   |
| Size (in)<br>(tolerance) | 4.1 x 1.3 x 0.33<br>(+/-0.04) |
| Weight (g)               | 22.0                          |



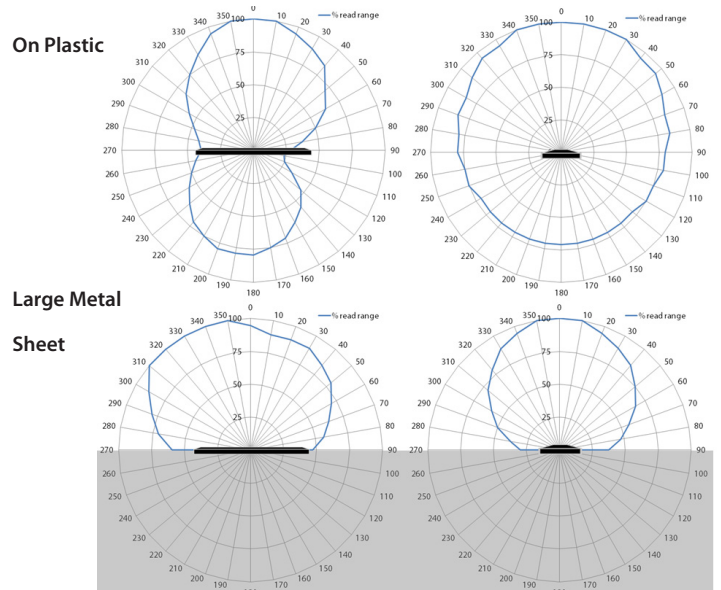
Dimensions stated in mm

## RF Specifications

|   |  |
|---|--|
| Protocol                                  | EPC Class 1 Gen2                                     |
| Frequency Range (MHz)                     | 902–928 (US), 866–868 (EU)<br>952–954 (JPN)          |
| Read Range (Fixed reader) <sup>1</sup>    | Up to 12.0 (US) , Up to 10.0 (EU)<br>Up to 7.0 (JPN) |
| Read Range (Handheld reader) <sup>1</sup> | Up to 6.0 (US) , Up to 5.0 (EU)<br>Up to 3.5 (JPN)   |
| Material Compatibility                    | Metal and non metallic substrates                    |
| IC Type (chip)                            | Alien H3   |
| Memory <sup>2</sup>                       | EPC - 96bits<br>User - 512bits<br>TID - 64bits       |

1. Quoted performance achieved using standard testing methodology. Read range will vary with reader hardware and output power.
2. EPC and User memory are reprogrammable, TID is locked at point of manufacture.

## Radiation Patterns



## Related Products and Services

- ▶ **Omni-ID Max SQ-D**- Extreme durability, long range and global operability in a small, square footprint, on metal RFID tag.
- ▶ **Omni-ID IQ 800 P**- Large premium label for plastic assets.
- ▶ **Omni-ID Max label** - High performance, long range RFID tag product for indoor applications involving metal and plastic assets.
- ▶ **Service Bureau** - Omni-ID offers a full service bureau for printing and pre-encoding Omni-ID tags at point of manufacture.



## Environmental Specification

|  |  |
|--|--|
| Operating Temperature  | ABS: -40 to +55 °C<br>PC: -40 to +85 °C  |
| Long term Max Temperature <sup>1</sup> exposure - (days,weeks,years) | ABS: +55 °C<br>PC: +85 °C  |
| Short term Max Temperature <sup>1</sup> exposure - (minutes,hours)   | ABS: +65 °C<br>PC: +95 °C  |
| IP Rating  | IP68   |
| Shock and Vibration  | MIL STD 810-F  |
| Impact   | 8kg from 1m  |
| Attachment   | Manual (standard)<br>Film adhesive (option)<br>Standard foam adhesive (option)<br>Premium foam adhesive (option) |
| Certifications   | RoHS approved<br>CE approved<br>ATEX/IECEX certified (option)<br>US&Canada (C1D1/D2) certified (option)          |
| Warranty   | 3 years  |

1. Excludes adhesive options, consult adhesive data sheets for recommended temperature ratings.

## Ordering Information

|               |  |
|---------------|--|
| Order Numbers | 020 - US, EU, JPN<br>:302 (PC)<br>:304 (ATEX/IECEX certified)<br>:307 (US&Canada (C1D1/D2) certified)<br>:502 (film adhesive),<br>:507 (std. foam),<br>:508 (premium foam)<br>:701 (Standard Service Bureau)<br>:702 (Custom Service Bureau) |
|---------------|--|

For more information, contact:

### Omni-ID Corporate Headquarters:

1200 Ridgeway Ave  
Rochester, NY 14615 USA

### European Office:

The Enterprise Centre  
Coxbridge Business Park  
Alton Road, Farnham, Surrey  
GU10 5EH, United Kingdom

### Asia Office:

Process Export zone  
East of Road No.4 and South of Road No.2  
Chengyang District  
Qingdao  
266113, P.R. China

### For product or technology inquiries:

Email [customer.services@omni-id.com](mailto:customer.services@omni-id.com)

