

**MT-263006/N**  
**902-928 MHz 12.5dBi LINEAR V/H POLARITY DIRECTIONAL**  
**ANTENNA**



**ELECTRICAL**

<b>REGULATORY COMPLIANCE</b>	RoHS, CE 0682
<b>FREQUENCY RANGE</b>	902 - 928 MHz
<b>GAIN</b>	12.5 dBi (min)
<b>VSWR</b>	1.7 : 1 (max)
<b>POLARIZATION</b>	Linear (Vertical or Horizontal)
<b>3 DB BEAMWIDTH</b>	42°(typ)
<b>SIDELOBES LEVEL</b>	-19dB (max)
<b>F/B RATIO</b>	-24dB
<b>CROSS POLARIZATION</b>	-20 dB (max)
<b>POWER</b>	6W (max)
<b>INPUT IMPEDANCE</b>	50 (ohm)
<b>LIGHTNING PROTECTION</b>	DC Grounded

**MECHANICAL**

<b>DIMENSIONS (LXWXD)</b>	450x450x36mm (max)
<b>CONNECTOR</b>	N-Type Female
<b>WEIGHT</b>	3 kg (max)
<b>MOUNTING KIT</b>	MT-120018
<b>RADOME MATERIAL</b>	Plastic
<b>BASE PLATE MATERIAL</b>	Aluminum with chemical conversion coating
<b>OUTLINE DRAWING</b>	See Below

[ADD TO COMPARISON](#) | [COMPARE](#)

**ENVIRONMENTAL**

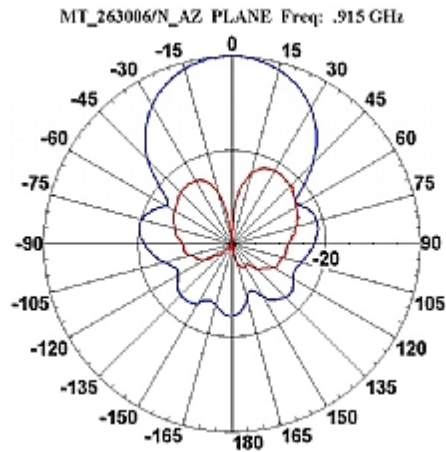
TEST	STANDARD	DURATION	TEMPERATURE	NOTES
<b>LOW TEMPERATURE</b>	IEC 68-2-1	72 h	-55°C	
<b>HIGH TEMPERATURE</b>	IEC 68-2-2	72 h	+71°C	
<b>TEMP. CYCLING</b>	IEC 68-2-14	1 h	-45°C +70°C	3 Cycles
<b>VIBRATION</b>	IEC 60721-3-4	30 min/axis		Random4M3
<b>SHOCK MECHANICAL</b>	IEC 60721-3-4			4M3

HUMIDITY	ETSI EN300-2-4 T4.1E	144 h	95%
WATER TIGHTNESS	IEC 529		IP67
SOLAR RADIATION	ASTM G53	1000h	
FLAMMABILITY	UL 94		Class HB
SALT SPRAY	IEC 68-2-11 Ka	500h	
ICE AND SNOW			25mm Radial
WIND SPEED SURVIVAL OPERATION			220 Km/h 160 Km/h
WIND LOAD (SURVIVAL) FRONT THRUST SIDE THRUST			58.3 kg 3.9 kg

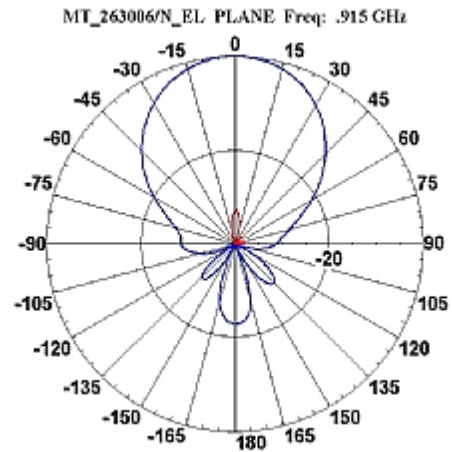
### Existing Antenna Versions

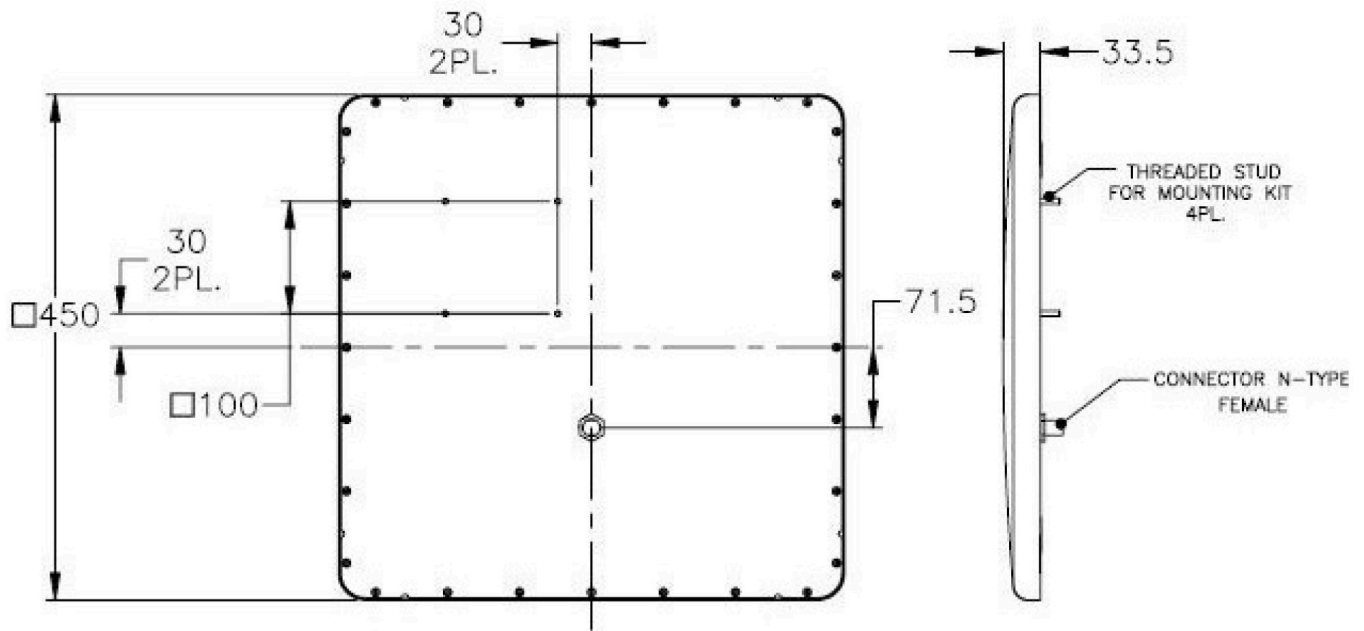
MT-263006/S/E	one foot Integrated Antenna Enclosure
---------------	---------------------------------------

**AZIMUTH RADIATION PATTERN MIDBAND  
FREQ. 0.915 GHZ**



**ELEVATION RADIATION PATTERN MIDBAND  
FREQ. 0.915 GHZ**





**WAIVER!**

While the information contained in this document has been carefully compiled to the best of our present knowledge, it is not intended as presentation or warranty of any kind on our part regarding the fitness of the products concerned for any particular use or purpose and neither shall any statement contained herein be construed as a recommendation to infringe any industrial property rights or as a license to use any such rights. The fitness of each product for any particular purpose must be checked beforehand with our specialists.



154 State Street North Haven, CT 06473  
 Toll Free 866.792.0031  
[www.gatewayrfidsolutions.com](http://www.gatewayrfidsolutions.com)  
 Visit our RFID Store - [store.gatewayrfidsolutions.com](http://store.gatewayrfidsolutions.com)