

MT-263003/N 902-928 MHz 10dBi LINEAR V/H POLARITY DIRECTIONAL ANTENNA



ELECTRICAL

REGULATORY COMPLIANCE	RoHS, CE 0682
FREQUENCY RANGE	902 - 928 MHz
GAIN	10 dBi (min)
VSWR	1.5 : 1 (max)
POLARIZATION	Linear (Vertical or Horizontal)
3 DB BEAMWIDTH	50°(typ)
SIDELOBES LEVEL	-17dB (max) @±80°
F/B RATIO	-27dB (max)
CROSS POLARIZATION	-25 dB (max)
POWER	6W (max)
INPUT IMPEDANCE	50 (ohm)
LIGHTNING PROTECTION	DC Grounded

MECHANICAL

DIMENSIONS (LXWXD)	305x305x25mm (max)
CONNECTOR	N-Type Female
WEIGHT	1.5 (kg) (max)
MOUNTING KIT	MT-120018
RADOME MATERIAL	Plastic
BASE PLATE MATERIAL	Aluminum with chemical conversion coating
OUTLINE DRAWING	See Below

[ADD TO COMPARISON](#) | [COMPARE](#)

ENVIRONMENTAL

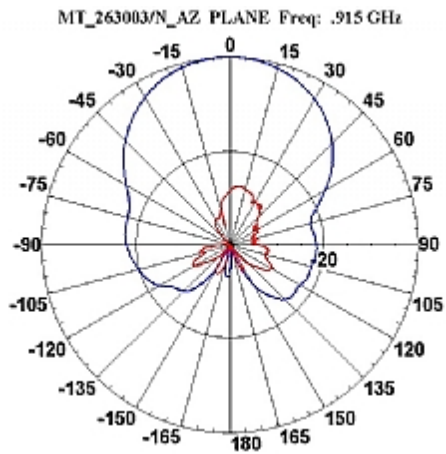
TEST	STANDARD	DURATION	TEMPERATURE	NOTES
LOW TEMPERATURE	IEC 68-2-1	72 h	-55°C	
HIGH TEMPERATURE	IEC 68-2-2	72 h	+71°C	
TEMP. CYCLING	IEC 68-2-14	1 h	-45°C +70°C	3 Cycles
VIBRATION	IEC 60721-3-4	30 min/axis		Random4M5
SHOCK MECHANICAL	IEC 60721-3-4			4M5

HUMIDITY	ETSI EN300-2-4 T4.1E	144 h	95%
WATER TIGHTNESS	IEC 529		IP67
SOLAR RADIATION	ASTM G53	1000h	
FLAMMABILITY	UL 94		Class HB
SALT SPRAY	IEC 68-2-11 Ka	500h	
ICE AND SNOW			25mm Radial
WIND SPEED SURVIVAL OPERATION			220 Km/h 160 Km/h
WIND LOAD (SURVIVAL) FRONT THRUST SIDE THRUST			10 kg 1.6 kg

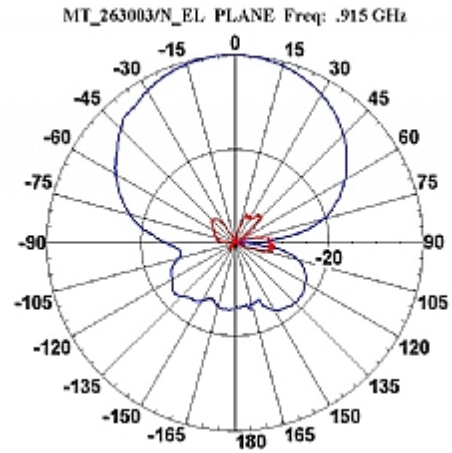
Existing Antenna Versions

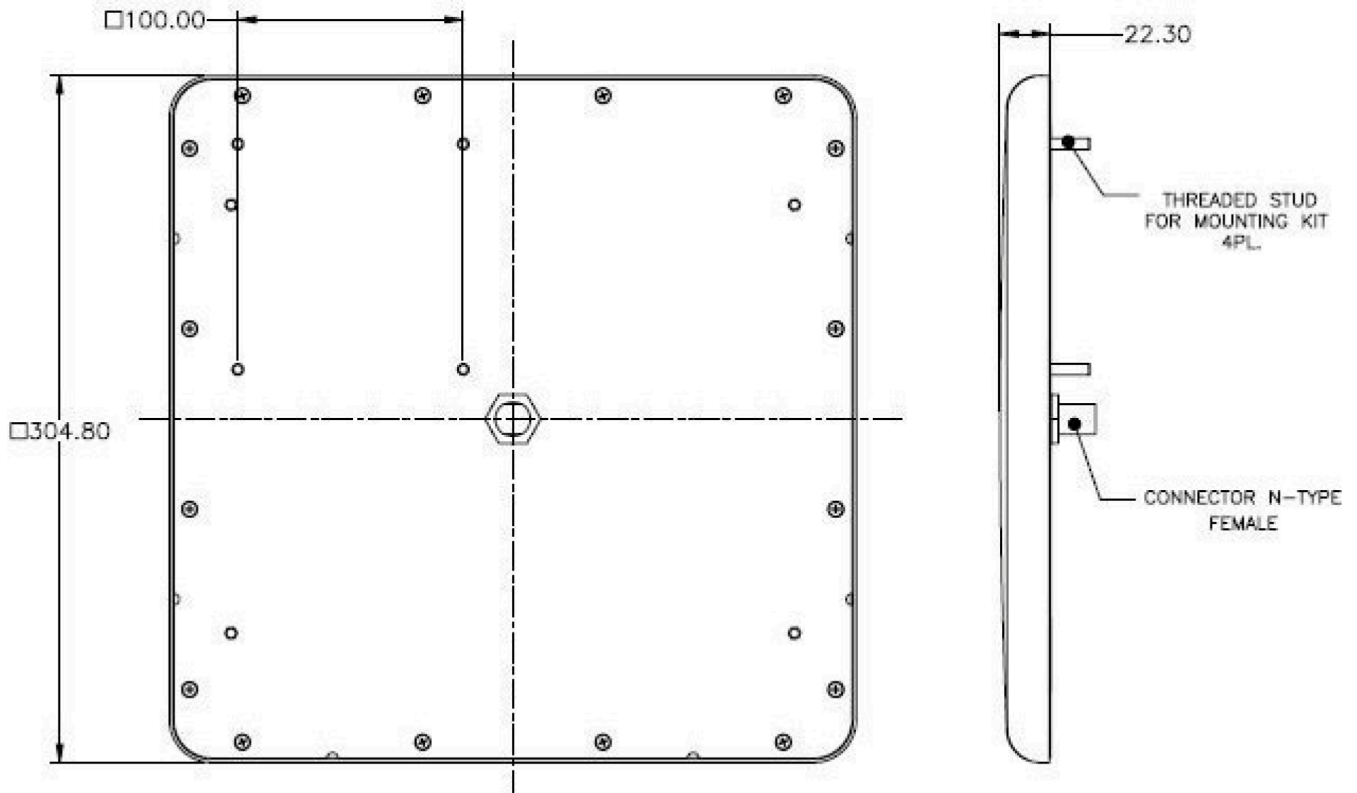
MT-263003/S/E	one foot Integrated Antenna Enclosure
---------------	---------------------------------------

**AZIMUTH RADIATION PATTERN MIDBAND
FREQ. 0.915 GHZ**



**ELEVATION RADIATION PATTERN MIDBAND
FREQ. 0.915 GHZ**





WAIVER!

While the information contained in this document has been carefully compiled to the best of our present knowledge, it is not intended as presentation or warranty of any kind on our part regarding the fitness of the products concerned for any particular use or purpose and neither shall any statement contained herein be construed as a recommendation to infringe any industrial property rights or as a license to use any such rights. The fitness of each product for any particular purpose must be checked beforehand with our specialists.



154 State Street North Haven, CT 06473
 Toll Free 866.792.0031
www.gatewayrfidsolutions.com
 Visit our RFID Store - store.gatewayrfidsolutions.com