



## MT-242043/TRH/A/K 865 - 956 MHz, 8.5 dBic RHCP READER ANTENNA



### ELECTRICAL

<b>REGULATORY COMPLIANCE</b>	RoHS, CE 0682
<b>FREQUENCY RANGE</b>	865 - 956 MHz
<b>GAIN</b>	7.5 dBic (min) , 8.5 dBic (max) @ 865-870 MHz 8.5 dBic (min) , 9.5 dBic (max) @ 902-928 MHz 7.5dBic (min) , 9.0 dBic (max) @ 950-956 MHz
<b>VSWR</b>	1.2:1 (typ) 1.35 : 1(max)
<b>POLARIZATION</b>	RHCP
<b>3DB ELEVATION BEAMWIDTH</b>	65° (typ)
<b>3DB AZIMUTH BEAMWIDTH</b>	65° (typ)
<b>F/B RATIO</b>	-18 dB (max)
<b>POWER</b>	6W (max)
<b>INPUT IMPEDANCE</b>	50 (ohm)
<b>AXIAL RATIO</b>	865-870 MHz @ 2.5 dB (max) 902-928 MHz @ 1dB(typ) 1.5 dB (max) 950-956 MHz @ 3.0 dB (max)
<b>LIGHTNING PROTECTION</b>	DC Grounded
<b>MECHANICAL</b>	
<b>DIMENSIONS (LXWXD)</b>	305x305x25mm (max)
<b>CONNECTOR</b>	TNC JACK Reverses Polarity
<b>WEIGHT</b>	1.2 kg (max)
<b>MOUNTING KIT</b>	RD41191800C , MT-120018
<b>RADOME MATERIAL</b>	Plastic
<b>BASE PLATE MATERIAL</b>	Aluminum with chemical conversion coating
<b>OUTLINE DRAWING</b>	RD43072500C

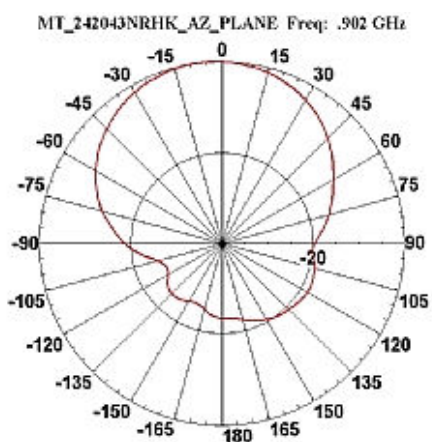
ADD TO COMPARISON | COMPARE

### ENVIRONMENTAL

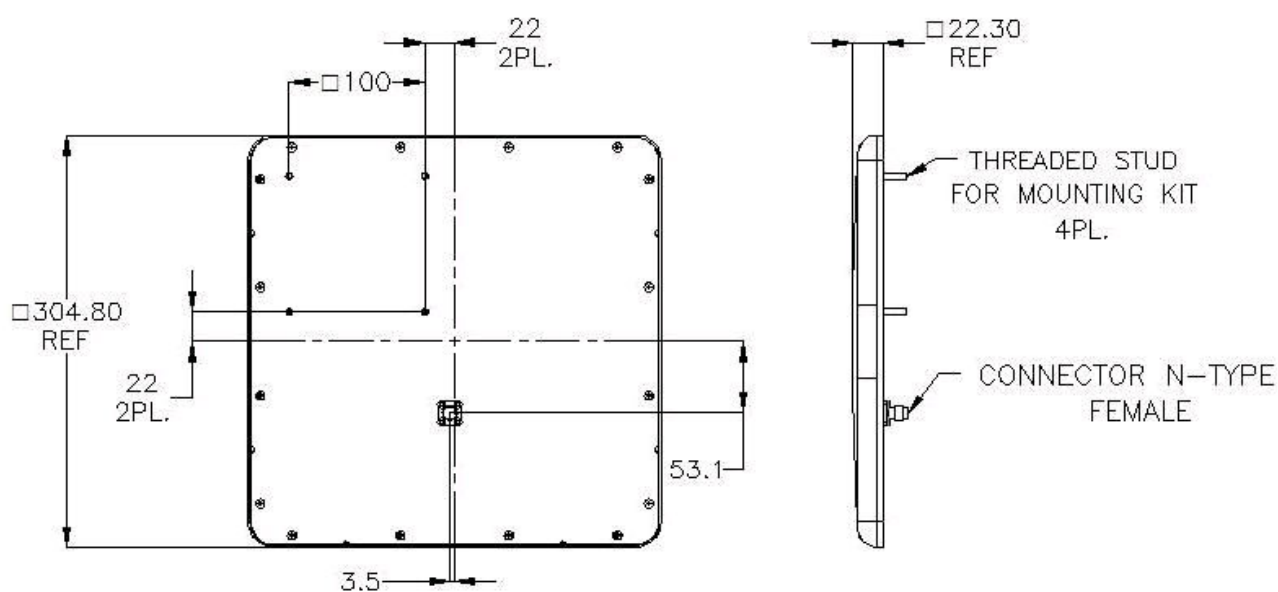
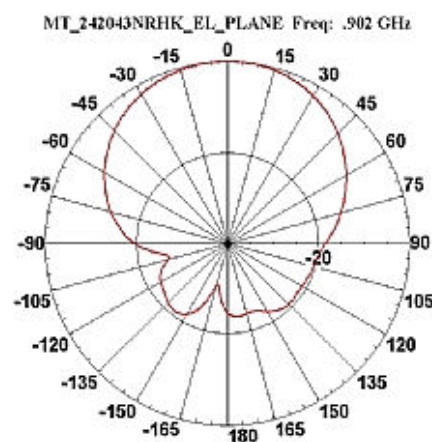
TEST	STANDARD	DURATION	TEMPERATURE	NOTES
<b>LOW TEMPERATURE</b>	IEC 68-2-1	72 h	-55°C	
<b>HIGH TEMPERATURE</b>	IEC 68-2-2	72 h	+71°C	
<b>TEMP. CYCLING</b>	IEC 68-2-14	1 h	-45°C +70°C	3 Cycles
<b>VIBRATION</b>	IEC 60721-3-4	30 min/axis		Random4M5

<b>SHOCK MECHANICAL</b>	IEC 60721-3-4		4M5
<b>HUMIDITY</b>	ETSI EN300-2-4 T4.1E	144 h	95%
<b>WATER TIGHTNESS</b>	IEC 529		IP67
<b>SOLAR RADIATION</b>	ASTM G53	1000h	
<b>FLAMMABILITY</b>	UL 94		Class HB
<b>SALT SPRAY</b>	IEC 68-2-11 Ka	168 h	
<b>ICE AND SNOW</b>			25mm Radial
<b>WIND SPEED SURVIVAL OPERATION</b>			220 Km/h 160 Km/h
<b>WIND LOAD (SURVIVAL)</b>			26.8 kg
<b>FRONT THRUST</b>			2.2 kg
<b>SIDE THRUST</b>			

**AZIMUTH RADIATION PATTERN MIDBAND**  
FREQ. 0.902 GHZ



**ELEVATION RADIATION PATTERN MIDBAND**  
FREQ. 0.902 GHZ



**WAIVER!**

While the information contained in this document has been carefully compiled to the best of our present knowledge, it is not intended as presentation or warranty of any kind on our part regarding the fitness of the products concerned for any particular use or purpose and neither shall any statement contained herein be construed as a recommendation to infringe any industrial property rights or as a license to use any such rights. The fitness of each product for any particular purpose must be checked beforehand with our specialists.



154 State Street North Haven, CT 06473

Toll Free 866.792.0031

[www.gatewayrfidsolutions.com](http://www.gatewayrfidsolutions.com)

Visit our RFID Store - [store.gatewayrfidsolutions.com](http://store.gatewayrfidsolutions.com)