

## MT-242025/NRH/K 865 - 956 MHz, 7.5dBic READER ANTENNA



### ELECTRICAL

REGULATORY COMPLIANCE	RoHS, CE 0682
FREQUENCY RANGE	865 - 956 MHz
GAIN	865-870 MHz @ 7 dBic (min) 902-928 MHz @ 7.5 dBic (min) 950-956 MHz @ 6.5 dBic (min)
VSWR	1.2:1 (typ) 1.35 : 1(max)
POLARIZATION	RHCP
3DB ELEVATION BEAMWIDTH	72° (typ)
3DB AZIMUTH BEAMWIDTH	74° (typ)
F/B RATIO	-18 dB (max)
POWER	6W (max)
INPUT IMPEDANCE	50 (ohm)
AXIAL RATIO AT BORESIGHT	865-870 MHz @ 3 dB (max) 902-928 MHz @ 1.3 dB (max) 950-956 MHz @ 2.5 dB (max)
LIGHTNING PROTECTION	DC Grounded

### MECHANICAL

DIMENSIONS (LXWXD)	190 x 190 x 30mm (max)
CONNECTOR	N-Type Female
WEIGHT	0.8 (Kgs) (max)
MOUNTING KIT	SEE RD41191800C, MT-120018/A
RADOME MATERIAL	Plastic
BASE PLATE MATERIAL	Aluminum with chemical conversion coating
OUTLINE DRAWING	RD42881300C

[ADD TO COMPARISON](#) | [COMPARE](#)

### ENVIRONMENTAL

TEST	STANDARD	DURATION	TEMPERTURE	NOTES
LOW TEMPERATURE	IEC 68-2-1	72 h	-55°C	
HIGH	IEC 68-2-2	72 h	+71°C	

**TEMPERATURE**

**TEMP. CYCLING** IEC 68-2-14 1 h -45°C +70°C 3 Cycles

**THERMAL SHOCK  
NONO-  
OPERATING** -30°C to+70°C Ramp 30°C/min

**HUMIDITY** ETSI EN300-2-4 T4.1E 144 h 95%

**WATER TIGHTNESS** IEC 529 IP67

**DUST  
RESISTANCE** IP67

**SOLAR RADIATION** ASTM G53 1000h

**OZONE  
RESISTANCE** ETSI 300

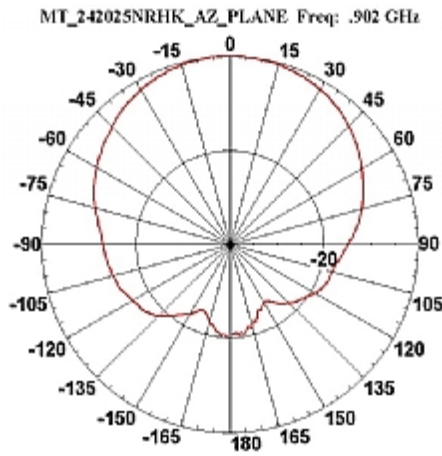
**FLAMMABILITY** UL 94 Class HB

**QUASI RANDOM  
VIBRATION** 20g rms for 4 hours

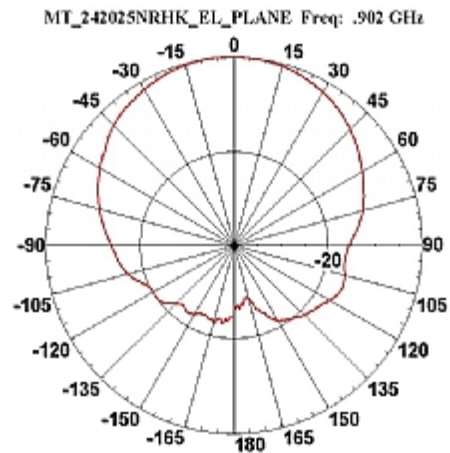
**VEHICLE  
VIBRATION  
OPERATING** 1 grms, 10-500 Hz, in 3 axis 6 hours total, 2 hr in each axis. Accelerated wear – an additional 50hrs in worst case axis.

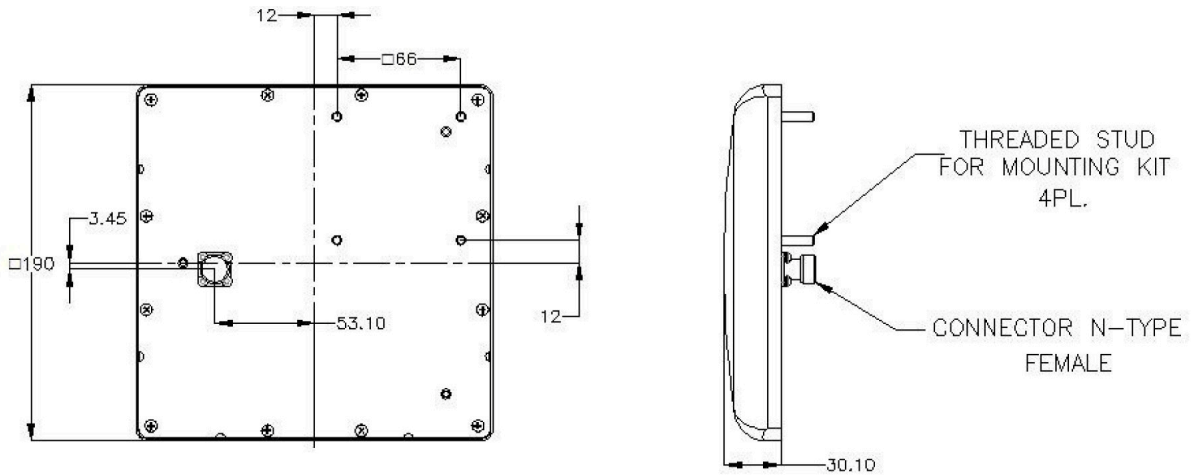
**MECHANICAL  
SHOCK  
OPERATING** 10g, 11msec, half sine pulse

**AZIMUTH RADIATION PATTERN MIDBAND  
FREQ. 0.902 GHZ**



**ELEVATION RADIATION PATTERN MIDBAND  
FREQ. 0.902 GHZ**





**WAIVER!**

While the information contained in this document has been carefully compiled to the best of our present knowledge, it is not intended as presentation or warranty of any kind on our part regarding the fitness of the products concerned for any particular use or purpose and neither shall any statement contained herein be construed as a recommendation to infringe any industrial property rights or as a license to use any such rights. The fitness of each product for any particular purpose must be checked beforehand with our specialists.



154 State Street North Haven, CT 06473  
 Toll Free 866.792.0031  
[www.gatewayrfidsolutions.com](http://www.gatewayrfidsolutions.com)  
 Visit our RFID Store - [store.gatewayrfidsolutions.com](http://store.gatewayrfidsolutions.com)