

MT-120018 MOUNTING KIT FOR FLAT PANEL ANTENNA



CONSTRUCTION

INSTALLATION METHOD	Pole size $\varnothing 1\text{''} \pm \varnothing 3\text{''}$ or wall
AZIMUTH RESOLUTION STEP	2° on wall
TILT RESOLUTION STEP	2° on pole and wall
WEIGHT	0.86 kg
PAY LOAD	20 kg (max)

MATERIALS

BRACKETS	AL.AL. LM2-T6 with chemical conversion coating
CLAMPS	AL.AL. LM2-T6 with chemical conversion coating
FASTENERS	Steel zinc plated

[ADD TO COMPARISON](#) | [COMPARE](#)

ENVIRONMENTAL

TEMPERATURE	-55°C +71°C
VIBRATION	IEC 60721-3-4 4M5 Random
SHOCK MECHANICAL	IEC 60721-3-4 4M5
HUMIDITY	0-100%
ICE LOADING	25 mm Radial
SALT FOG	IEC 68-2-11 Ka, 500h
WIND LOAD (SURVIVAL)	47 kg (103.4 lbs)
FRONT THRUST	6 kg (13.2 lbs)
SIDE THRUST	

INSTALLATION INSTRUCTION DOCUMENT	RD41136200C RD41136300C
--	----------------------------

*(1) THIS REFLECTS SURVIVAL WIND SPEED OF 220 Km/H AND OPERATION WIND SPEED OF 160 km/h .

(2) FOR ANTENNA OF 450×450 mm THIS WIND LOAD (SURVIVAL) IS:

FRONT THRUST: 56 Kg

SIDE THRUST : 5 Kg

AT WIND SPEED ABOVE 188 km/h SOME ANT. ADJUSTMENT WIL BE REQUIRED.

** FOR POLES FROM 3"-4" USE BANDS MTI P/N – HO40672205M QTY-2.

THIS BANDS ARE NOT INCLUDED IT THE KIT.

WAIVER!

While the information contained in this document has been carefully compiled to the best of our present knowledge, it is not intended as presentation or warranty of any kind on our part regarding the fitness of the products concerned for any particular use or purpose and neither shall any statement contained herein be construed as a recommendation to infringe any industrial property rights or as a license to use any such rights. The fitness of each product for any particular purpose must be checked beforehand with our specialists.



154 State Street North Haven, CT 06473

Toll Free 866.792.0031

www.gatewayrfidsolutions.com

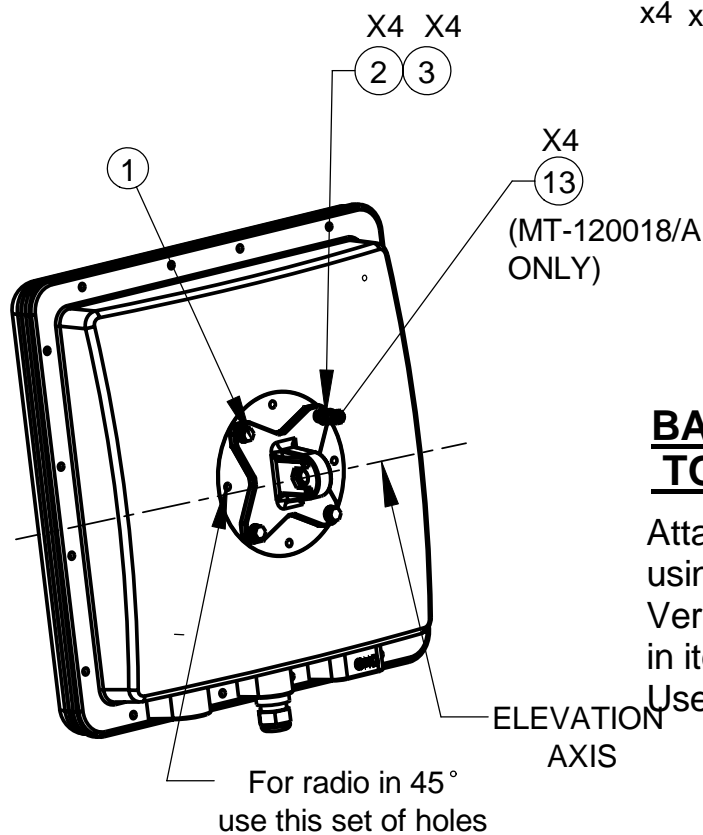
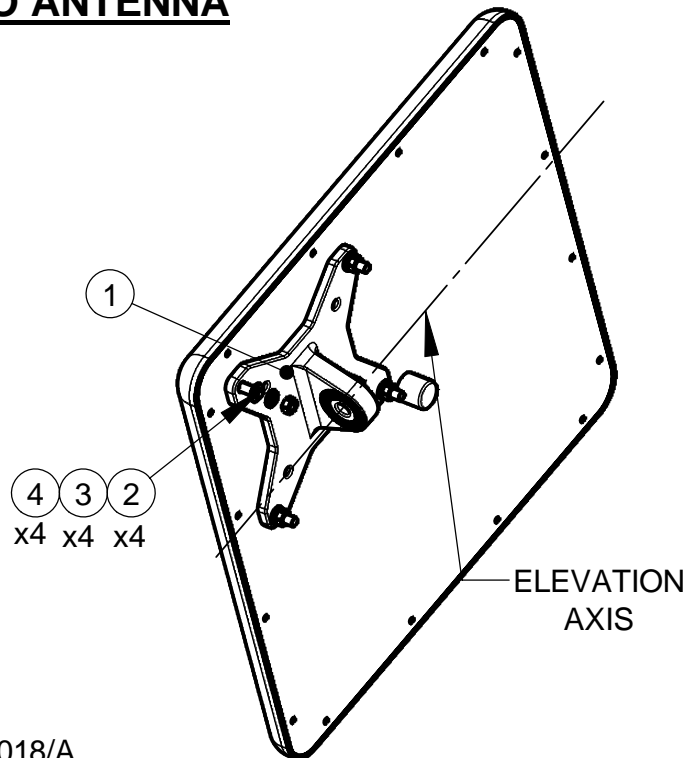
Visit our RFID Store - store.gatewayrfidsolutions.com



WIRELESS EDGE

BASE BRACKET INSTALLATION TO ANTENNA

Attach item 1 to the back of the antenna using items 2,3,4 as shown. Verify that the orientation of the hole in item 1 is aligned with the elevation axis. Use tightening torque of 5.7N/m.



BASE BRACKET INSTALLATION TO ENCLOSURE

Attach item 1 to the back of the enclosure using items 2, 3, 13 as shown. Verify that the orientation of the hole in item 1 is aligned with the elevation axis. Use tightening torque of 5.7N/m.



WIRELESS EDGE

INSTALLATION ON A POLE

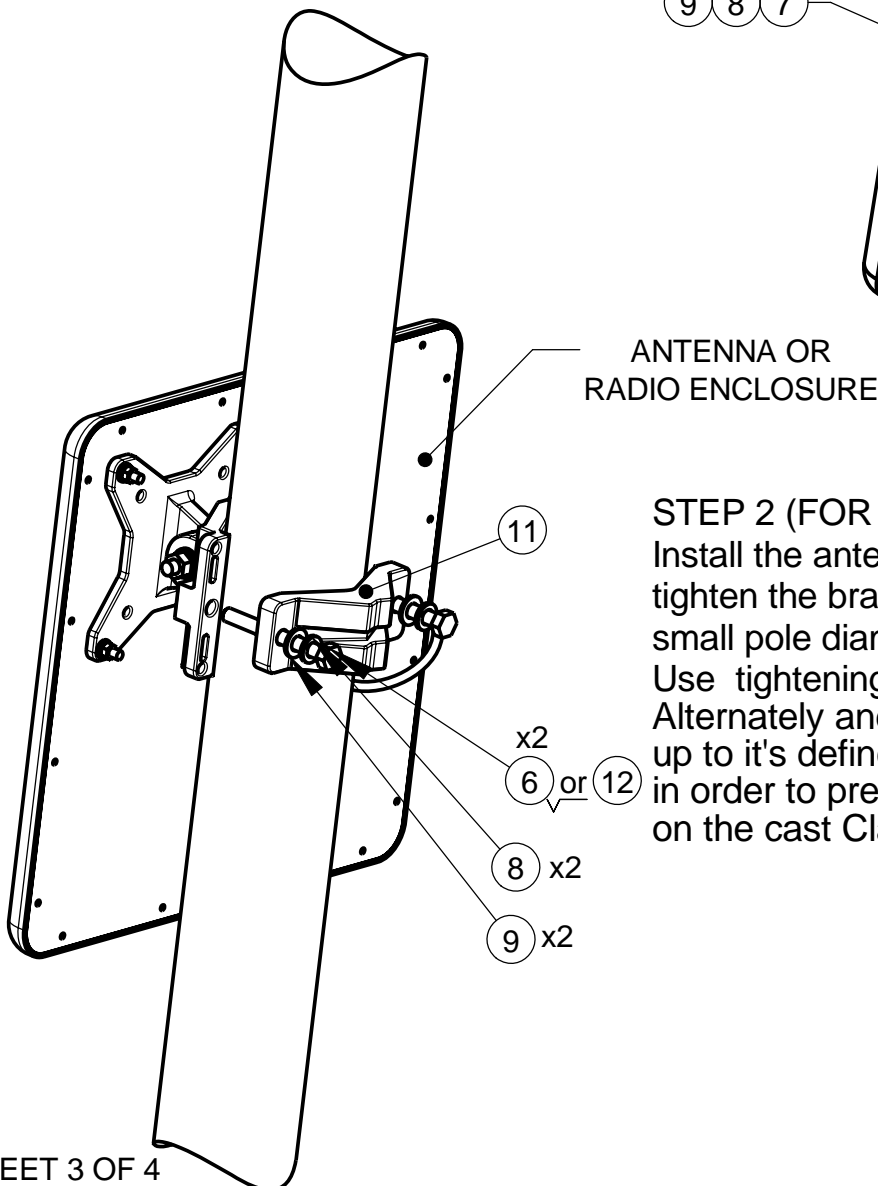
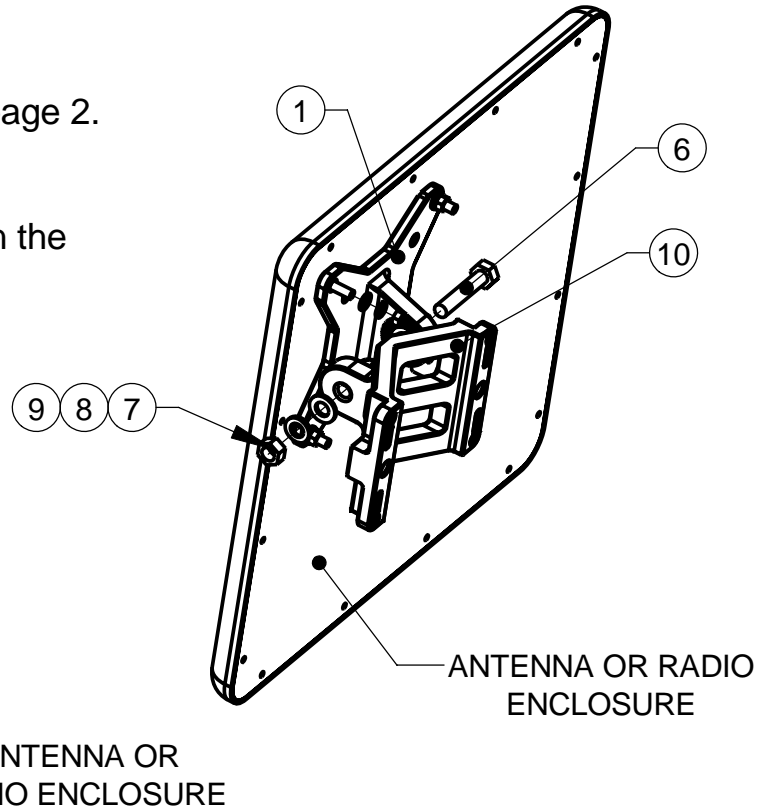
Step 1

Connect the base bracket as shown on page 2.

Connect item 10 to item 1 (mate knurled surfaces) using item 6,7,8,9 as shown.

Note: The bolt head shall be positioned in the socket on item 1.

Use tightening torque of 24 N/m.



STEP 2 (FOR POLES SIZES 1.75"-3")

Install the antenna to the pole using item 11, tighten the bracket using items 8,9,12 (for small pole diameter use item 6 instead of item 12) Use tightening torque of maximum 14N/m. Alternately and equally tighten the two M8 bolts up to it's defined tightening torque, in order to prevent unequal pressure on the cast Clamps

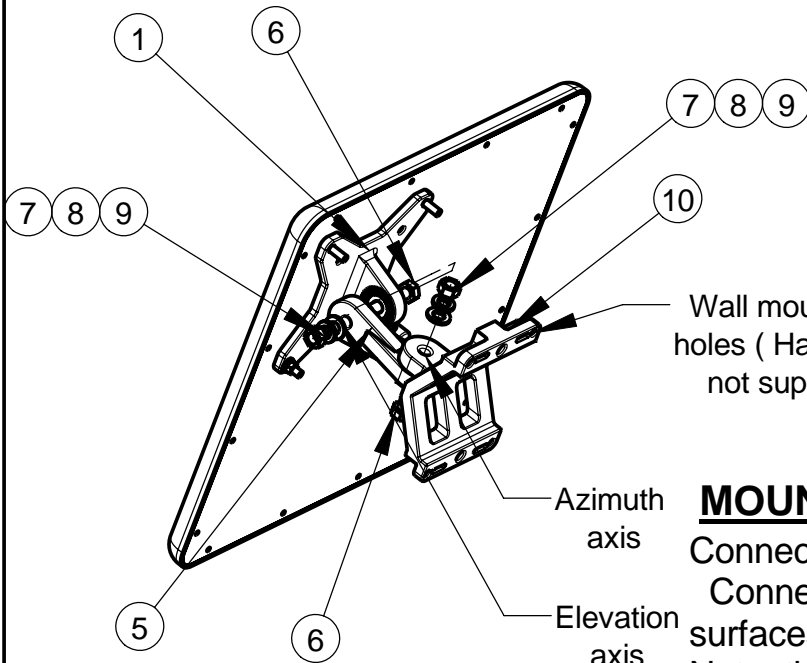
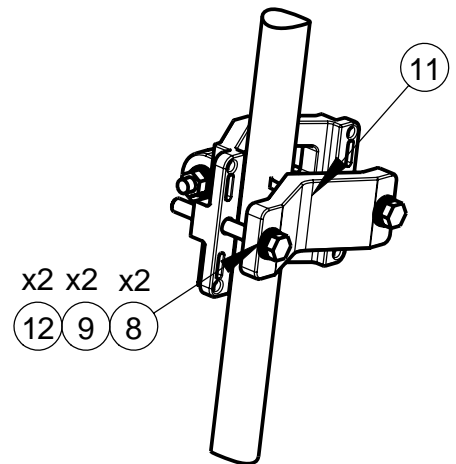


WIRELESS EDGE

STEP 2 (FOR POLES SIZES 1"-1.75")

Install the antenna to the pole using item 11 as shown, tighten the bracket using items 8,9,12.

Use tightening torque of maximum 14N/m. Alternately and equally tighten the two M8 bolts up to it's defined tightening torque, in order to prevent unequal pressure on the cast Clamps



Wall mounting holes (Hardware not supplied)

Azimuth axis

Elevation axis

MOUNTING ON A WALL

Connect base bracket as shown on page 2

Connect item 5 to item 1 (mate the knurled surfaces) using items 6,7,8,9 as shown.

Note: the bolt head shall be positioned in the socket of item 1.

mount item 10 on the wall on the desired position. (note the azimuth axis orientation)

Attach item 5 to the arm bracket item 10 (mate the knurled surfaces) using items 6,7,8,9 as shown. Note the bolt head shall be positioned in the socket of item 5.

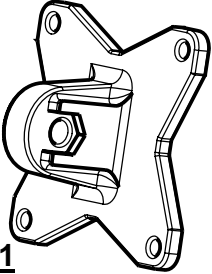


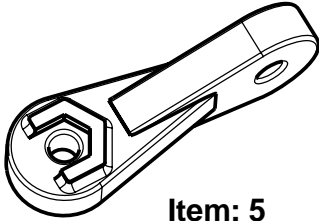
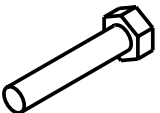

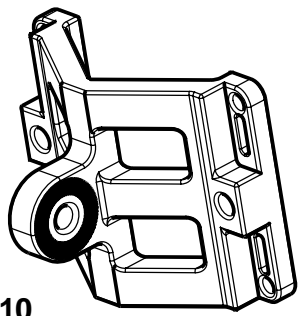


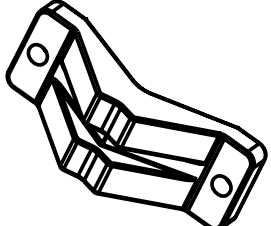
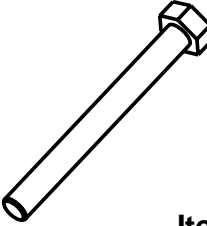

Use tightening torque of 24 N/m to the azimuth and elevation hardware.

SHEET 4 OF 4



WIRELESS EDGE

INSTALLATION INSTRUCTIONS FOR MT-120018 AND MT-120018/A

 <p>Item: 1 Antenna/enclosure base bracket Qty: 1</p>	 <p>Item: 2 Flat washer M5 Qty: 4</p>	 <p>Item: 4 Nut M5 Qty: 4</p>	 <p>Item: 5 Arm bracket Qty: 1</p>
 <p>Item: 6 Bolt M8x40 Qty: 4</p>	 <p>Item: 8 Washer spring M8 Qty: 4</p>	 <p>Item: 10 Wall/Poll bracket Qty: 1</p>	
 <p>Item: 7 Washer flat M8 Qty: 4</p>	 <p>Item: 9 Nut M8 Qty: 2</p>	 <p>Item: 11 Clamping bracket Qty: 1 SHEET 1 OF 4</p>  <p>Item: 12 Bolt M8x70 Qty: 2</p>  <p>Item: 13 Bolt M5x16 Qty: 4 MT-120018/A only</p>	