

Dash-On XS



Functional Specifications

| | |
|---------------------------------------|---|
| RF air protocol | EPC Class 1 Gen 2; ISO18000-6C |
| Operating frequency | UHF 902-928 MHz (US); 866-868 MHz (EU) |
| IC type | Alien Higgs-3 |
| Memory configuration | 96-bit EPC; 512-bit user memory; 64-bit TID |
| Functionality | Read / write (user programmed) |
| Memory – expected read / write cycles | 100,000 cycles at 77°F (25°C) |
| Data retention | Up to 50 years ¹ |
| Read rate | 400 tags per second for 96-EPC bit number |
| Warranty (limited) | 1 year |

Performance Characteristics

| | |
|---|--------------------|
| Read range on metal (2W ERP) ² | Up to 6.6 ft (2 m) |
| Polarization | Linear |

Physical Specifications

| | |
|-----------------|---------|
| Material | Ceramic |
| Mounting system | Epoxy |
| Color | Black |

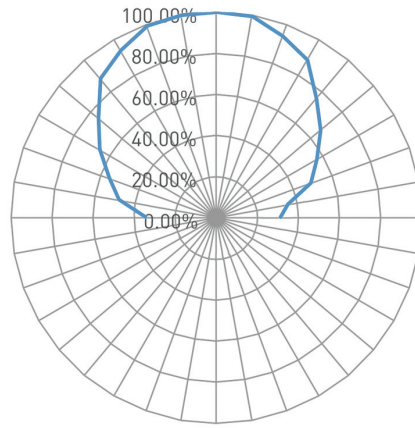
Environmental and Industry Compliance

| | |
|--|-------------------------|
| FDA Class | Class I |
| Global Unique Device Identification Database (GUDID) | Support |
| RoHS | EU Directive 2002/95/EC |
| ATEX | ATEX Compliant |
| Autoclavable | Yes |



¹ The chip data retention is based on chip operating under general environment conditions.

² Actual read range may vary based upon use case and antenna power.

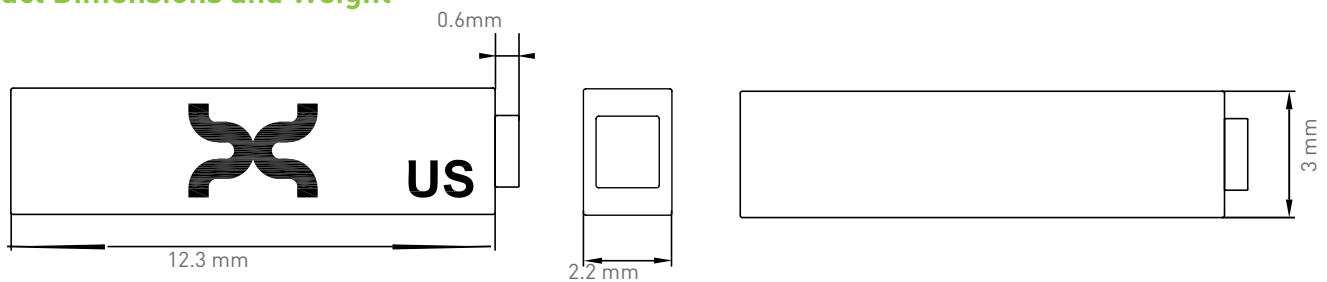


On metal

Operational and Environmental Specifications

| | |
|--|---|
| Operational temperature | |
| Cold | -40°F (-40°C) |
| Dry heat (Long term, days/weeks/years) | +185°F (+85°C) |
| Application temperature | |
| Cold | -40°F (-40°C) |
| Dry heat (Short term, minutes/hours) | +302°F (+150°C) |
| Humidity | |
| Operational humidity | 5%-95% non-condensing |
| Storage humidity | 5%-95% non-condensing |
| Shock (drop) | 3 ft (1 m) to concrete/granite up to 200 cycles |
| Vibration | MIL-STD-810F |
| IP classification | IP68 |

Product Dimensions and Weight



| | |
|-----------------|--------------------|
| Dimensions (mm) | 12.3 x 3 x 2.2 |
| tolerance | +/- 0.3 |
| Dimensions (in) | 0.48 x 0.12 x 0.09 |
| tolerance | +/- 0.012 |
| Weight | 0.016 oz (0.44 g) |

Order information

| | |
|----------------|------------|
| X4101-US000-H3 | Dash On US |
| X4101-EU000-H3 | Dash On EU |

Dash-iN XS



Functional Specifications

| | |
|---------------------------------------|---|
| RF air protocol | EPC Class 1 Gen 2; ISO18000-6C |
| Operating frequency | UHF 902-928 MHz (US); 866-868 MHz (EU) |
| IC type | Alien Higgs-3 |
| Memory configuration | 96-bit EPC; 512-bit user memory; 64-bit TID |
| Functionality | Read / write (user programmed) |
| Memory – expected read / write cycles | 100,000 cycles at 77°F (25°C) |
| Data retention | Up to 50 years ¹ |
| Read rate | 400 tags per second for 96-EPC bit number |
| Warranty (limited) | 1 year |

Performance Characteristics

| | |
|---|--------------------|
| Read range in metal (2W ERP) ² | Up to 5 ft (1.5 m) |
| Polarization | Linear |

Physical Specifications

| | |
|-----------------|---------|
| Material | Ceramic |
| Mounting system | Epoxy |
| Color | White |

Environmental and Industry Compliance

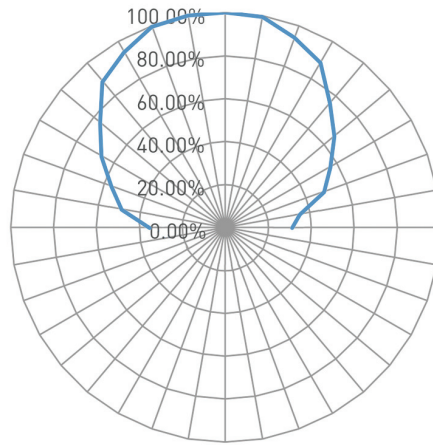
| | |
|--|-------------------------|
| FDA Class | Class I |
| Global Unique Device Identification Database (GUDID) | Support |
| RoHS | EU Directive 2002/95/EC |
| ATEX | ATEX Compliant |
| Autoclavable | Yes |



¹ The chip data retention is based on chip operating under general environment conditions.

² Actual read range may vary based upon use case and antenna power.

Radiation Pattern

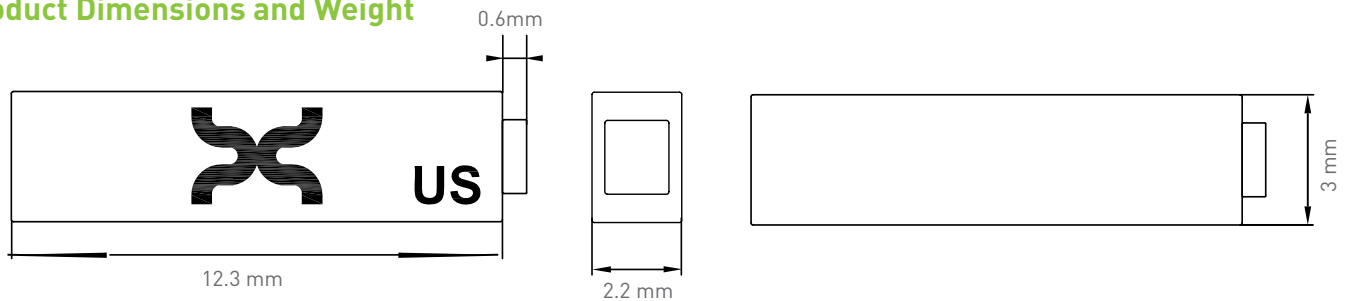


In metal

Operational and Environmental Specifications

| | |
|--|---|
| Operational temperature | |
| Cold | -40°F (-40°C) |
| Dry heat (Long term, days/weeks/years) | +185°F (+85°C) |
| Application temperature | |
| Cold | -40°F (-40°C) |
| Dry heat (Short term, minutes/hours) | +302°F (+150°C) |
| Humidity | |
| Operational humidity | 5%-95% non-condensing |
| Storage humidity | 5%-95% non-condensing |
| Shock (drop) | 3 ft (1 m) to concrete/granite up to 200 cycles |
| Vibration | MIL-STD-810F |
| IP classification | IP68 |

Product Dimensions and Weight



| | |
|-----------------|--------------------|
| Dimensions (mm) | 12.3 x 3 x 2.2 |
| tolerance | +/- 0.3 |
| Dimensions (in) | 0.48 x 0.12 x 0.09 |
| tolerance | +/- 0.012 |
| Weight | 0.016 oz (0.44 g) |

Order information

| | |
|----------------|------------|
| X4201-US000-H3 | Dash iN US |
| X4201-EU000-H3 | Dash iN EU |