



Circular Polarity RFID Panel Antenna Flush Mount R9029F12RTF



902-928 MHz 9 dBiC CIRCULAR POLARITY PANEL

The RFMAX R9029 antenna is a circularly polarized panel antenna that provides reception and transmission of signals in the 902-928 MHz frequency that achieves maximum efficiency and performance across the entire frequency band.

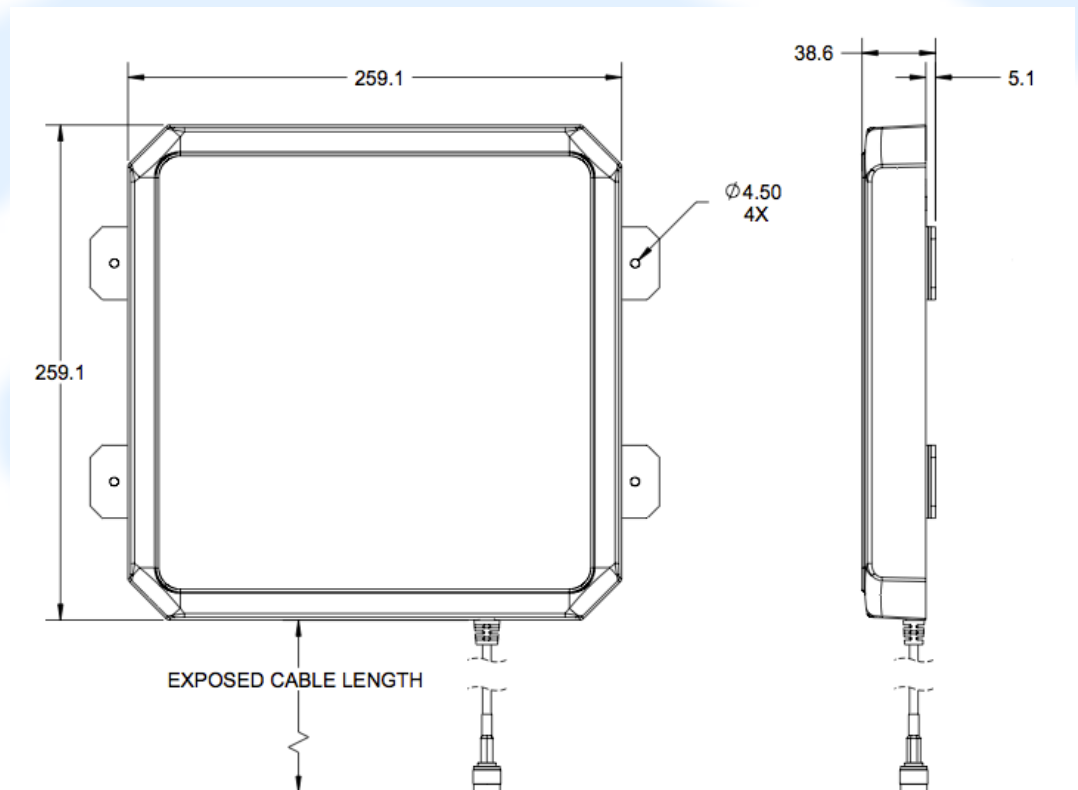
Both VSWR and axial ratios are excellent and allow the user to achieve the maximum performance for an antenna of this type. The antenna is housed in a heavy duty radome enclosure with 4 flush wall mount tabs.

FEATURES

- Low profile
- Extremely low VSWR and axial ratio
- Weather and UV resistant radome
- Right hand circular polarity
- UL94-V2 rated
- White ABS plastic
- 12" cable with Reverse Polarity TNC Female (RPTNC-Female) connector

APPLICATIONS

- Warehouse
- Distribution center
- Airports and hospitals
- Transit terminals
- Conveyor belt



RFMAX

Distributed Internationally by:
Arcadian, Inc.
11 Muller Place
Little Falls, New Jersey 07424
USA

1-888-925-5967 toll-free

www.arcadianinc.com

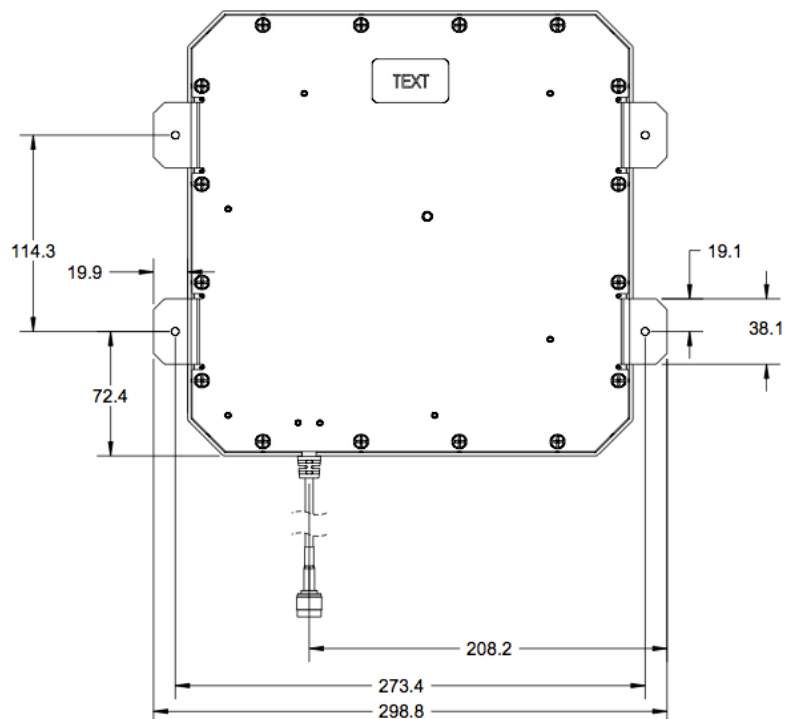




Circular Polarity RFID Panel Antenna Flush Mount R9029F12RTF

SPECIFICATIONS

Antenna Part Number	R9029F12RTF
Frequency Range	902 - 928 MHz
Gain	9.0 dBic
Maxium VSWR	1.3:1
3 dB Beamwidth - Azimuth	70°
Front to Back Ratio	20 dB
Polarization	Circular Right
Maxium Input Power	10 Watts
Input Impedence	50 Ohms
Axial Ratio	1dB Typical
Weight (Kg)	2.3 lbs (1.04)
Mechanical Size	10.2" x 10.2" x 1.32"
Antenna Connection	12" Pigtail Reverse Polarity TNC Female connector
Radome	High Strength PC
Mount Style	Threaded Stud
Temperature Operational	-25°C to +70°C
Lightning Protection	DC Grounded
Environmental Rating	IP 54 UL94V



RFMAX

Distributed Internationally by:
Arcadian, Inc.
11 Muller Place
Little Falls, New Jersey 07424
USA

1-888-925-5967 toll-free

www.arcadianinc.com