



# Weatherproof RFID Reader Enclosure

Integrated wiring and IP-66 Rated - 12" x 10" x 6"



## For Impinj R420 Speedway Revolution RFID Reader

RFMAX Weatherproof IP-66 Rated RFID Reader Enclosure features high quality construction for wall or mast mounting of the Impinj R420 RFID readers in harsh industrial environments or outdoor applications. Features integral wiring and RPTNC or N-type female bulkhead connectors plus one RJ-45 ethernet/PoE connection. External enclosure is made of extremely durable polycarbonate 2 piece construction, with stainless steel quick-release latches and integrated polyurethane gasket to seal out the elements.

- Molded polycarbonate industrial enclosure
- Stainless steel quick release latches with padlock hasps
- Includes (4) internal coax jumper cables, PoE surge suppressor, Ethernet patch cable and brass mounting lug
- Polyurethane gasket seals out the elements
- Includes pre-configured aluminum mounting plate and wall mount tabs
- Also available with RFID reader pre-installed - Please call for details

### Ordering Info:

Part #  
PCE12106-R420-001  
(Type N Connectors)

PCE12106-R420-002  
(Type RPTNC Connectors)

Ports:	(4) RPTNC or N-type Female connectors + (1) RJ-45 Ethernet PoE connector
Enclosure Material:	Polycarbonate
Enclosure Color:	Light Grey (RAL 7035)
Weight:	7.5 lbs. (3.4 kg)
Outside Dimensions (max):	12 x 10 x 6 inches (305 x 254 x 152 mm)
Inside Dimensions (usable):	10.83 x 8.86 x 5.32 inches (275 x 225 x 135 mm)
Flame Rating:	UL 508
RoHS Compliant:	Yes
Ratings*:	NEMA type 4, 4X / IP66

Coaxial jumper cables and RFID antennas are also available. Enclosures are also available in other sizes and configurations to fit most RFID popular readers

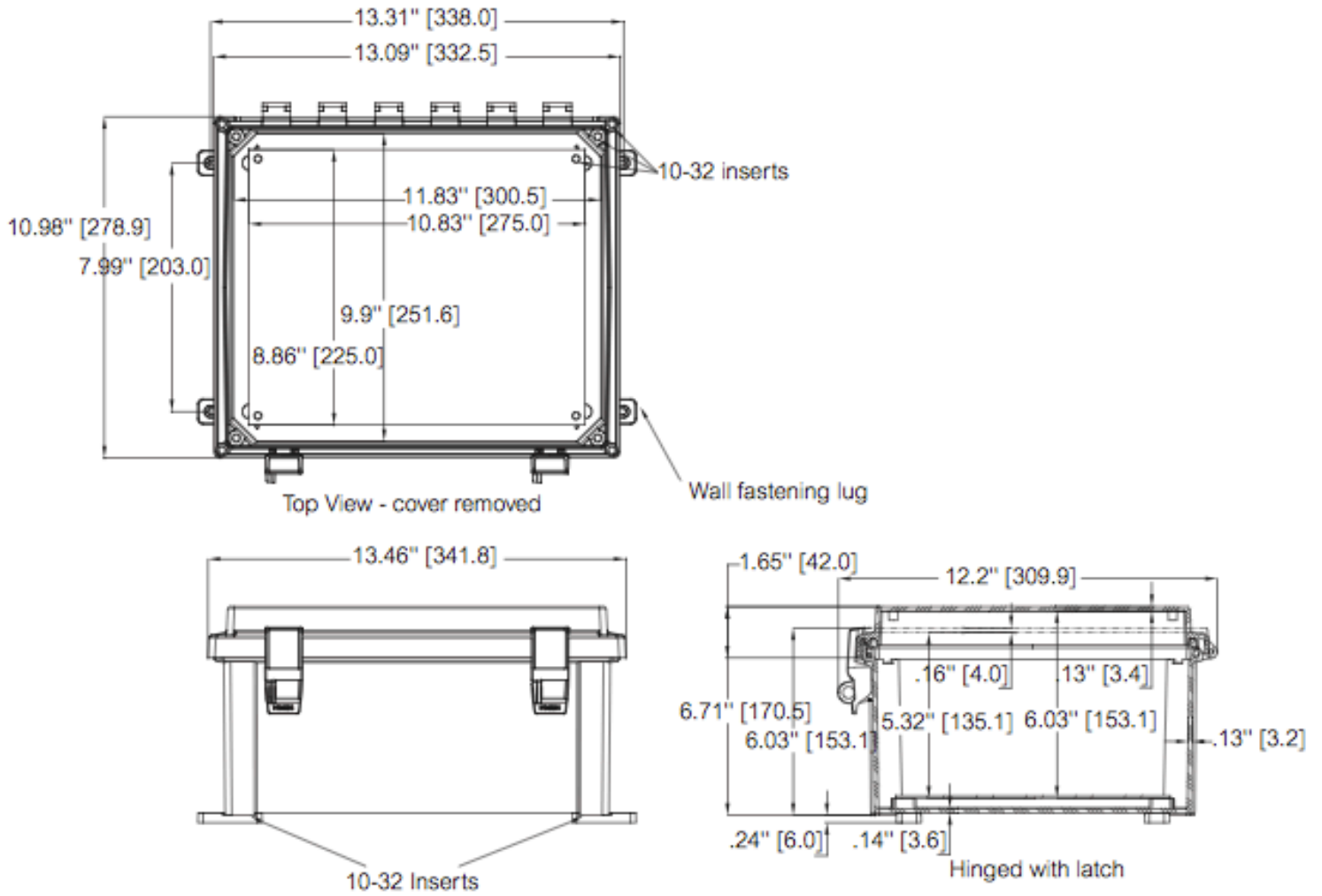
**RFMAX**

[www.rfmax.us](http://www.rfmax.us)

Distributed internationally by:  
**Arcadian, Inc.**  
11 Muller Place  
Little Falls, New Jersey, 07424 USA

888.925.5967 toll-free  
973.890.2324 international

[www.arcadianinc.com](http://www.arcadianinc.com)



**RFMAX**

[www.rfmax.us](http://www.rfmax.us)

Distributed internationally by:

**Arcadian, Inc.**

11 Muller Place

Little Falls, New Jersey, 07424 USA

888.925.5967 toll-free

973.890.2324 international

[www.arcadianinc.com](http://www.arcadianinc.com)